



# ELECTRIC FIRES



# A WARM WELCOME

---

It's never been so easy to get the warm inviting atmosphere of a real flame fire with all the convenience, versatility and efficiency of electric.

Using the latest Flame-Effect Technology, Gazco has created a beautiful range of fires that provide a versatile and stunning focal point for any home – and all without the need for a chimney!

**GAZCO**  
*Fire Your Imagination*



# THE GAZCO PEDIGREE

When you choose Gazco, quality and technology are assured. In this range of contemporary hang on the wall fires, Gazco are committed to creating the ultimate in realistic electric flame effects.



Our research and development laboratories are amongst the most advanced in the industry, ensuring that the very latest innovations are incorporated into our products.

Gazco is part of the Stovax Group who offer a prestigious product range which includes everything from traditional to the ultra-contemporary in a wide array of styles and sizes, so whether your choice is solid fuel, gas, or electric you can be sure to find a stove or fireplace from our range to add the perfect warmth and character to your home. Both Gazco and Stovax offer solid fuel and gas versions of several of the fires and stoves in this brochure. Full details of the Stovax Group's range of products can be found at [www.stovax.com](http://www.stovax.com)

Gazco is an ISO9001 accredited company. Our rigorous quality control system ensures that all our appliances comply with British Safety Standards as well as stringent European regulations. All fires and stoves in the brochure are CE marked. This means they have been independently tested to exacting European standards.

## Warranty Information

Your Gazco retailer will provide you with a Two Year Warranty for your new electric stove or fire. The guarantee will only be valid during the second year, to the extent permitted by law, if the appliance has been regularly maintained by the customer as detailed in the maintenance section of the Installation and User instructions. Please note, this warranty excludes certain consumable parts. Full warranty details are available at [www.gazco.com](http://www.gazco.com).





# STUDIO ELECTRIC SIZES

The outstanding Studio Electric range is available in a choice of three portrait and landscape sizes. With a choice of contemporary styles and simple 'hang on the wall' installation, these advanced technology electric fires can add stylish warmth to almost any room in your home with the ultimate ease. All Studio electric fires benefit from remote operation and feature an additional thermostatic control.

## Studio 1

The highly efficient Studio 1 is the most compact landscape model in the range, making it the perfect choice when you are looking for a dramatic focal point in a smaller interior. As with all Gazco Electric fires, you can tailor the atmosphere to suit your mood or occasion. On the Studio 1 you can vary the heat output between 0.9kW or 1.8kW (51BTU or 102BTU), and you even have the option to enjoy the effect of the fire without the heat at all.



## Studio 2

For effortless style and maximum impact, opt for a Studio 2 Electric fire. Their larger dimensions make an eye-catching focal point on larger walls and accentuate the highly realistic LED flame effect. The Studio's remote provides complete control over the heat and flame settings from your fingertips. With a variable heat output between 0.9kW or 1.8kW (51BTU or 102BTU), and the option of running just the flame effect by itself, the Studio 2 offers complete versatility for your home.



## Studio 22

The Studio 22 adds instant presence and vertical definition to any modern interior. With its unusual yet highly attractive portrait form, a Studio 22 Electric is perfect for the contemporary living room but equally suitable for creating a talking point in the dining room or making a designer statement in the study or office. On milder evenings, just sit back and enjoy the flickering flames without the heater or bring some cosy warmth to your room with a variable 0.45kW - 0.9kW (25BTU's - 51BTU's) heat output.



Studio Electric Sizes shown with Verve frame



# STUDIO ELECTRIC GLASS



*Studio Electric 22 Glass*



*Studio Electric 2 Glass*



Sleek, chic and contemporary, the Studio Electric Glass offers a distinctive focal point that will complement any stylish interior. Available in three sizes, there's a Studio Electric Glass to offer instant striking impact, whatever your room size.

Easy to fit, this designer fire can simply be hung on the wall and its shallow depth means it will only protrude minimally into your room.

A stunning flame-effect with 4 levels of brightness is available at the touch of a button on your remote control. You can alter the heat output to suit your requirements, or you can even enjoy the stunning LED flame-effects with no heat at all!

Gazco's range of Studio Electric Fires have also been uniquely developed so that the fan operation controls both the heat output and flame-effect simultaneously, offering not only product efficiency, but making them one of the quietest fan-assisted electric fires available.

**Finish**  
Black Glass

**Heat Output**  
Studio 1: 0.9kW - 1.8kW  
Studio 2: 0.9kW - 1.8kW  
Studio 22: 0.45kW - 0.9kW

**Efficiency**  
99%

**Frame Dimensions w x h x d (mm)**  
Studio 1: 1120 x 675 x 118  
Studio 2: 1320 x 675 x 118  
Studio 22: 675 x 1320 x 118



For more detailed information please see page 12.







# STUDIO ELECTRIC VERVE



The stylish Studio Electric Verve has a beautifully curved frame in a choice of five stylish finishes, making a striking designer statement to be appreciated from all angles. Whether it's a luxurious living room or a stylish study, the hang-on-the-wall Studio Electric Verve is incredibly versatile with two landscape sizes and a portrait option.

This designer fire heats your room, on command from your remote control. With two adjustable heat settings and four flame brightness levels, you can create the perfect atmosphere for every situation. Simply plug in your Studio Electric Verve and instantly enjoy the inviting glow created by our unique LED flame-effect technology.

The Studio Electric Verve comes with a removable White Stone fuel bed effect, so that you can select a minimalist contemporary effect without the fuel bed or a more natural look with the White Stones.

#### Finish

Graphite  
Metallic Red\*  
Metallic Blue\*  
Metallic Bronze\*  
Ivory\*

#### Heat Output

Studio 1: 0.9kW - 1.8kW  
Studio 2: 0.9kW - 1.8kW  
Studio 22: 0.45kW - 0.9kW

#### Fuel Bed Effect

White Stones

#### Frame Dimensions w x h x d (mm)

Studio 1: 1320 x 640 x 155  
Studio 2: 1520 x 640 x 160  
Studio 22: 676 x 1320 x 156

#### Efficiency

99%



Remote Control

Also see picture of Studio Electric 22 Verve on page 13.

For more detailed information please see page 12.

\* For more information on colour options please see overleaf



# STUDIO VERVE COLOUR OPTIONS



For those that want to add a splash of colour into their living space, Gazco have introduced a range of new and vibrant colour options specifically designed to complement the stylish, contemporary form of the Studio Electric Verve.

Whether to liven your living room, brighten your bedroom or even highlight your hallway, the four striking colours are sure to catch the eye and bring the wow factor to your interior space.

The colours shown on this page are available for all three Studio Electric Verve sizes which are additionally shown on pages 10 -11.

There is a choice of 4 eye-catching colours to choose from: Metallic Red, Metallic Blue, Metallic Bronze and Ivory. Please use the product code for the Studio Electric Verve of your choice, with the following suffix for your chosen colour:

- Metallic Red (RD) • Metallic Blue (BL) • Metallic Bronze (BZ) • Ivory (IV)

For example: Studio Electric 2 Verve in Metallic Blue: 223-427BL

#### Finish

Graphite  
Metallic Red  
Metallic Blue  
Metallic Bronze  
Ivory

#### Heat Output

Studio 1: 0.9kW - 1.8kW  
Studio 2: 0.9kW - 1.8kW  
Studio 22: 0.45kW - 0.9kW

#### Fuel Bed Effect

White Stones

#### Frame Dimensions w x h x d (mm)

Studio 1: 1320 x 640 x 155  
Studio 2: 1520 x 640 x 160  
Studio 22: 676 x 1320 x 156

#### Efficiency

99%

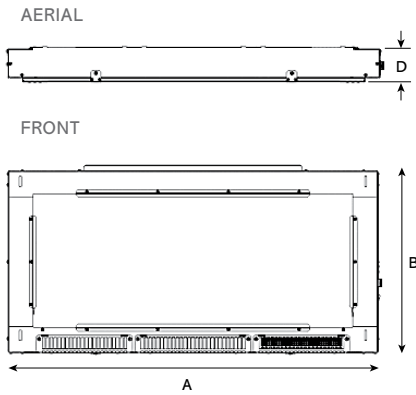


Remote Control

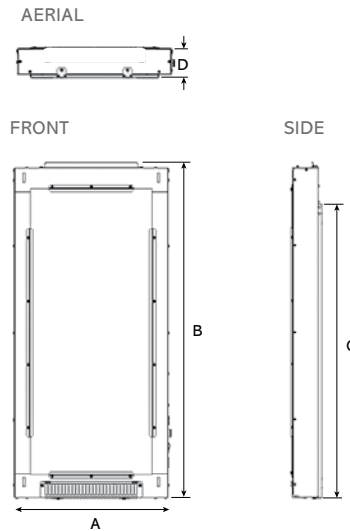
For more detailed information please see page 12.

# STUDIO ELECTRIC

## STUDIO ELECTRIC 1 & 2



## STUDIO ELECTRIC 22



### Studio Electric Fire Dimensions (mm)

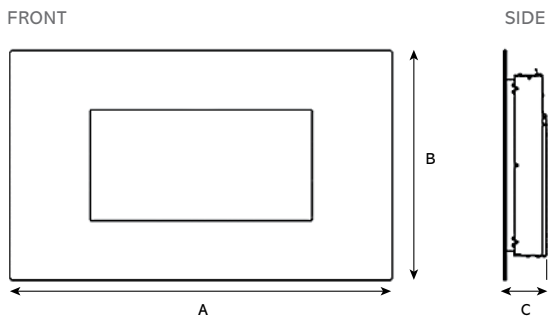
	Studio 1	Studio 2	Studio 22
A	822	1045	492
B	549	549	1062
C	416	416	929
D	98	98	98

### Fire Information

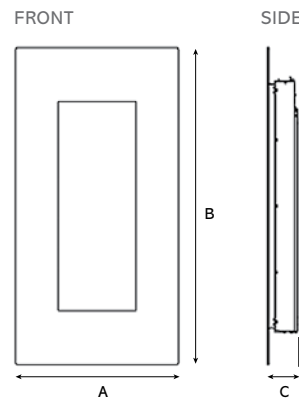
Product Code	Model	Frame	Finish	Fuel effect	Heat Output	Efficiency
<b>STUDIO 1</b>						
223-202	Studio 1	Verve	Graphite	White Stones	0.90 - 1.80kW	99%
223-094	Studio 1	Glass	Black Glass	-	0.90 - 1.80kW	99%
<b>STUDIO 2</b>						
223-427	Studio 2	Verve	Graphite	White Stones	0.90 - 1.80kW	99%
223-335	Studio 2	Glass	Black Glass	-	0.90 - 1.80kW	99%
<b>STUDIO 22</b>						
223-710	Studio 22	Verve	Graphite	White Stones	0.45 - 0.90kW	99%
223-557	Studio 22	Glass	Black Glass	-	0.45 - 0.90kW	99%

For details on how to order a Studio Electric Verve in other colour options please see page 13.

## STUDIO ELECTRIC 1 & 2 FRAME (VERVE & GLASS)



## STUDIO ELECTRIC 22 FRAME (VERVE & GLASS)



### Glass Frame Dimensions (mm)

	Studio 1	Studio 2	Studio 22
A	1120	1320	675
B	675	675	1320
C	118	118	118

### Verve Frame Dimensions (mm)

	Studio 1	Studio 2	Studio 22
A	1320	1520	676
B	640	640	1320
C	155	160	156







Gazco Limited, Osprey Road, Sowton Industrial Estate, Exeter, Devon, England EX2 7JG

Tel: 01392 261999 • Fax: 01392 444148 • Email: [info@gazco.com](mailto:info@gazco.com) • [www.gazco.com](http://www.gazco.com)

Gazco pursue a policy of continuous product improvement, therefore, whilst our products are correct at the time of the photography, we reserve the right to make alterations and amendments.  
Exact product details should be discussed with your retailer at the time of purchase.

Paper sourced from sustainable forests and printed using vegetable based inks • © All material copyright Gazco Ltd 2011 E & O E • *A member of the Stovax group*



Other product brochures from the Gazco family which may be of interest to you can be downloaded from our website [www.gazco.com](http://www.gazco.com)